



**MANUAL STEP
ASSEMBLIES
OWNER'S MANUAL**

**L I P P E R T
C O M P O N E N T S[®]**

TABLE OF CONTENTS

Introduction	2
Safety	2
Step Operation	3
Unfolding Steps.....	3
Folding Steps.....	3
Maintenance	3
Scratches.....	3
Lubrication.....	3
Anti-Skid Tape.....	3
Manual Steps Assemblies	4
Alumi-Tread®.....	4
Manual Steps Assemblies	5
Steel Steps.....	5
Manual Steps Assemblies	6
Tread-Lite®.....	6
Manual Steps Assemblies	7

Introduction

This document details the operation and maintenance of manual steps.

Safety

WARNING

The “WARNING” symbol above is a sign that an installation procedure has a safety risk involved and may cause death or serious injury if not performed safely and within the parameters set forth in this manual. The trailer **MUST** be supported per manufacturer's recommendations before working underneath. Failure to do so may result in death, serious personal injury or severe product or property damage.

CAUTION

Moving parts can pinch, crush or cut. Keep clear and use caution.

Step Operation

Unfolding Steps

1. Pull out on the top lip of the step vertically stored (Fig. 1A).
2. Pull up and out on the back of step resting on the second step (Fig 2A).
3. Unfold bottom step (Fig. 3).

Folding Steps

1. Pull up on bottom step and fold over the second step (Fig. 2A).
2. Pull up on bottom of steps and fold inward under top step (Fig. 1A).

Fig. 1

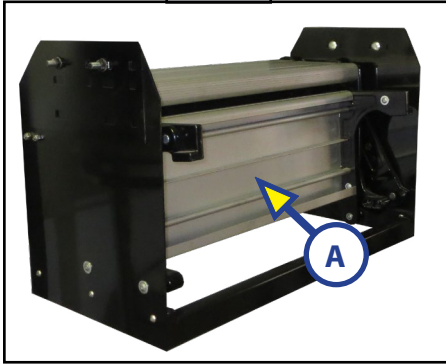


Fig. 2



Fig. 3



Maintenance

Scratches

1. Clear any chipped paint or material adhering to scratched area.
2. Apply automotive grade primer to scratch.
3. Paint primed area with automotive high gloss paint.

Lubrication

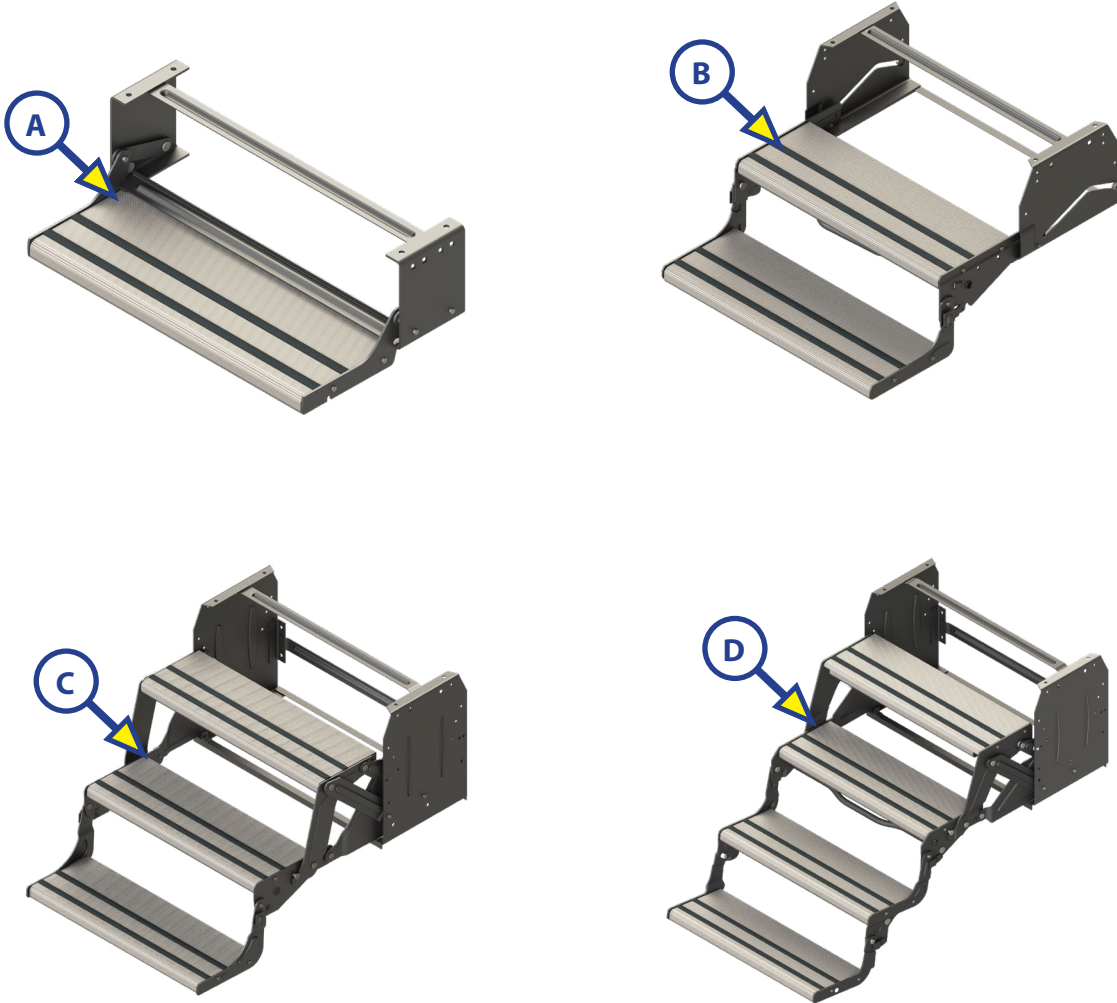
1. Remove all dirt and foreign matter from hinge areas.
2. Lubricate hinge areas in between the sheet metal portions of the steps.

NOTE: Utilize a dry silicone lubricant. Wet lubricants will attract dirt and possibly cause damage to the hinge areas.

Anti-Skid Tape

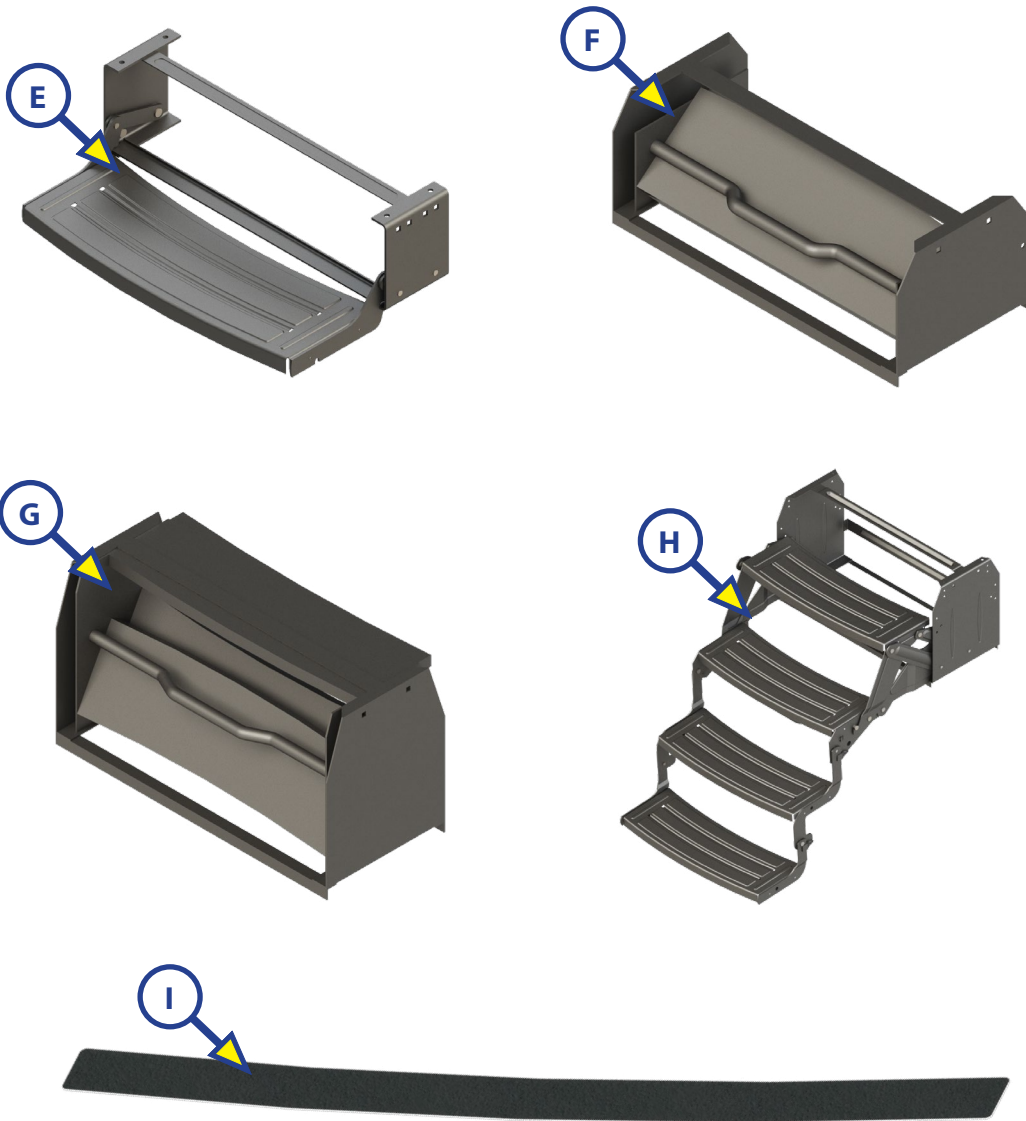
1. Inspect steps for loose, missing or damaged anti-skid tape.
2. Replace anti-skid tape as necessary.

Alumi-Tread®



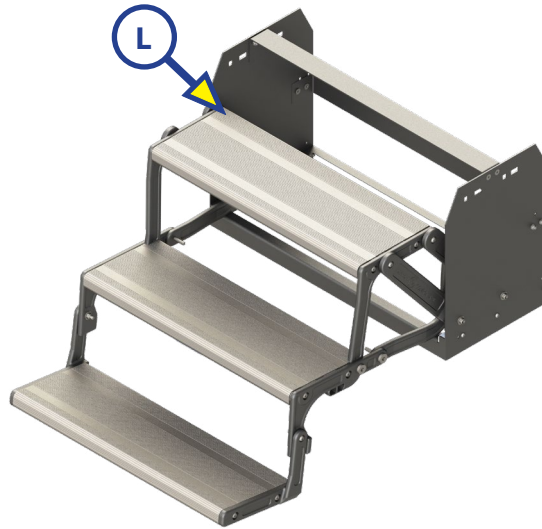
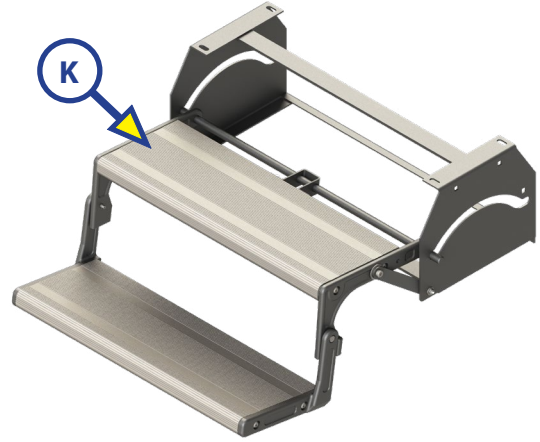
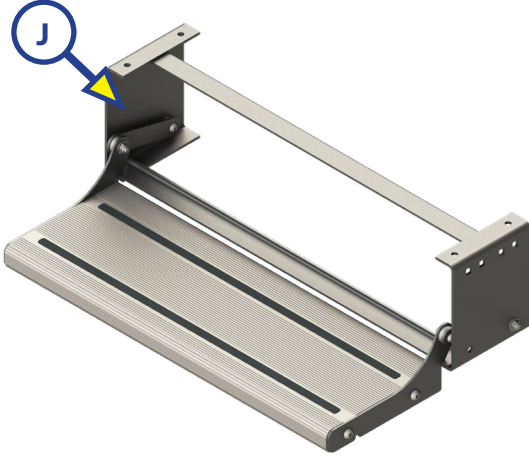
Callout	Part #	Description
A	430063	Alumi-Tread® Single Step (OBSOLETE)
B	429994	Alumi-Tread® Double Step (OBSOLETE)
C	432696	Alumi-Tread® Triple Step
D	432698	Alumi-Tread® Quad Step

Steel Steps



Callout	Part #	Description
E	432678	24" Radius Single Step
F	432682	24" Radius Double Step
G	432687	24" Radius Triple Step (7" rise)
	432690	24" Radius Triple Step (9" rise)
H	367091	24" Radius Quad Step (8" rise)
I	181638	Anti-Skid Tape (19.5" x 1.25")
	226893	Anti-Skid Tape (22.25" x .5")
	237520	Anti-Skid Tape (21" x 3")

Tread-Lite®

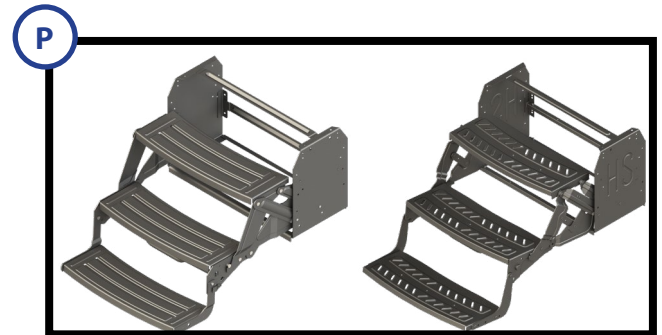
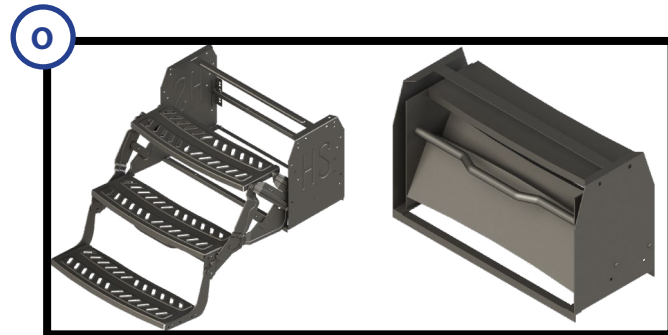
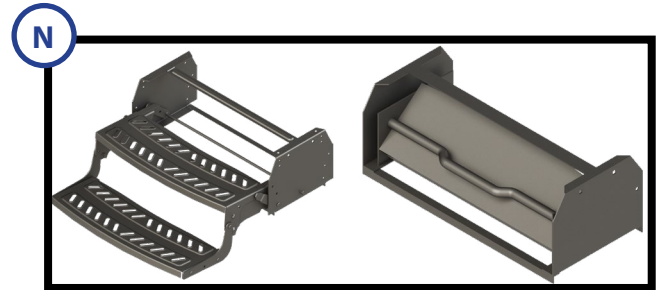


Callout	Part #	Description
J	328730	Tread-Lite® - Single (OBSOLETE)
K	344420	Tread-Lite® - Double (OBSOLETE)
L	258998	Tread-Lite® - Triple (OBSOLETE)

MANUAL STEPS ASSEMBLIES

STEPS

NOTE: The below steps are supported by Hickory Springs. To determine if your steps are supported by Hickory Springs, thoroughly examine them for an "HS" embossed in the side plates. If they are supported by LCI, you will see an embossed "X" on the side plates instead.



Callout	Hickory Springs Part #	LCI Part #	Description
M	235453	432678	Single Step 24" Radius
N	235454	432682	Double Step 24" Radius
O	235456	432687	Triple Step 24" Radius
P	235457	199182	Triple Step Wide Body (OBSOLETE)



L I P P E R T C O M P O N E N T S[®]

The contents of this manual are proprietary and copyright protected by Lippert Components, Inc. ("LCI"). LCI prohibits the copying or dissemination of portions of this manual unless prior written consent from an authorized LCI representative has been provided. Any unauthorized use shall void any applicable warranty. The information contained in this manual is subject to change without notice and at the sole discretion of LCI.

Revised editions are available for free download from lci1.com.

Please recycle all obsolete materials.

For all concerns or questions, please contact
Lippert Components, Inc.

Ph: (574) 537-8900 | Web: lci1.com | Email: customerservice@lci1.com